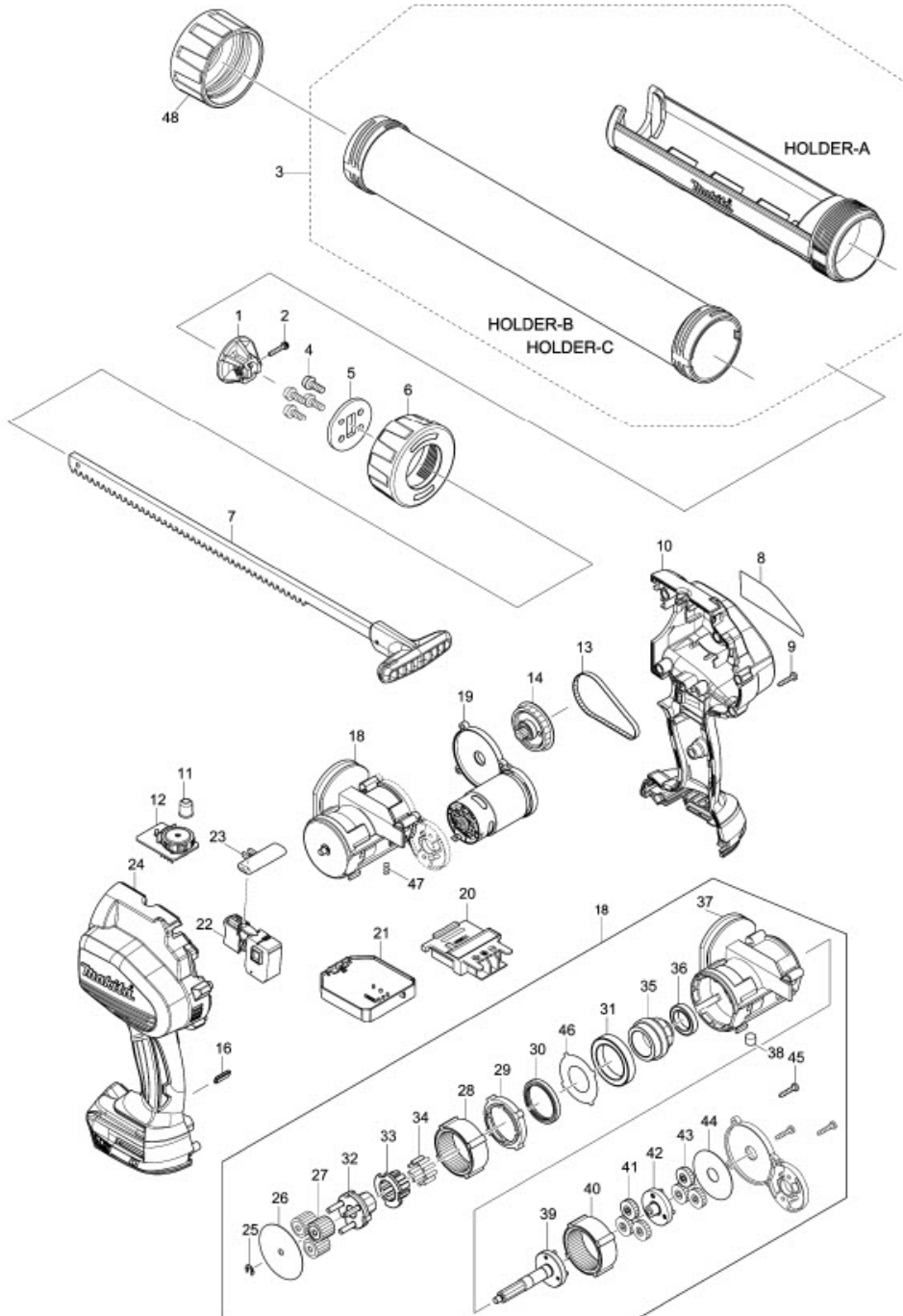


# Part Diagram

Model No.DCG180 CORDLESS CAULKING GUN



| Item  | Sub | Parts No. | Parts Description            | Qty |
|-------|-----|-----------|------------------------------|-----|
| 1     |     | 142071-2  | PISTON A COMPLETE            | 1   |
| 1     |     | 142072-0  | PISTON B COMPLETE            | 1   |
| 2     |     | 266827-0  | PAN HEAD SCREW M3X18 WITH WR | 1   |
| 3     |     | 454275-7  | HOLDER A                     | 1   |
| 3     |     | 141861-0  | HOLDER B COMPLETE            | 1   |
| 4     |     | 265074-0  | PAN HEAD SCREW M5X16         | 4   |
| 5     |     | 346649-5  | PLATE                        | 1   |
| 6     |     | 454223-6  | HOLDER JOINT A               | 1   |
| 6     |     | 318958-2  | HOLDER JOINT B               | 1   |
| 7     |     | 142041-1  | RACK 42 COMPLETE             | 1   |
| 7     |     | 142042-9  | RACK 64 COMPLETE             | 1   |
| 8     |     | 815F86-5  | DCG180 NAME PLATE            | 1   |
| 9     |     | 266429-2  | TAPPING SCREW 3X16           | 9   |
| 10    |     | 187618-5  | HOUSING SET                  | 1   |
| 10    | C10 | 263005-3  | RUBBER PIN 6                 | 2   |
| 10    | D10 |           | INC. 24                      |     |
| 11    |     | 418821-0  | LENS                         | 1   |
| 12    |     | 620180-2  | SUB CONTROLLER               | 1   |
| 13    |     | 225097-0  | SYNCHRO BELT 4-176           | 1   |
| 14    |     | 142038-0  | SPUR GEAR 9A COMPLETE        | 1   |
| 16    |     | 454230-9  | LENS                         | 1   |
| 18    |     | 126253-4  | GEAR ASSEMBLY                | 1   |
| 18    | D10 |           | INC. 25-46                   |     |
| 19    |     | 142066-5  | MOTOR COMPLETE               | 1   |
| 20    |     | 643860-3  | TERMINAL                     | 1   |
| 21    |     | 632A63-0  | CONTROLLER UNIT              | 1   |
| 021-1 |     | 632L35-1  | CONTROLLER UNIT              | 1   |
| 22    |     | 650632-9  | SWITCH                       | 1   |
| 23    |     | 451162-1  | LOCK LEVER                   | 1   |
| 24    |     | 187618-5  | HOUSING SET                  | 1   |
| 24    | C10 | 263005-3  | RUBBER PIN 6                 | 2   |
| 24    | D10 |           | INC. 10                      |     |
| 25    |     | 961011-9  | STOP RING E-4                | 1   |
| 26    |     | 267465-1  | FLAT WASHER 5                | 1   |
| 27    |     | 227311-0  | SPUR GEAR 19B                | 3   |
| 28    |     | 227309-7  | INTERNAL GEAR 48             | 1   |
| 029-1 |     | 144375-8  | SPACER COMPLETE              | 1   |
| 31    |     | 211294-4  | BALL BEARING 6806LLU         | 1   |
| 32    |     | 141860-2  | CARRIER A COMPLETE           | 1   |
| 33    |     | 313253-5  | CARRIER B                    | 1   |
| 34    |     | 256255-7  | PIN 3                        | 9   |
| 35    |     | 227312-8  | SPUR GEAR 10                 | 1   |
| 36    |     | 211482-3  | BALL BEARING 6803LLU         | 1   |
| 37    |     | 454219-7  | GEAR HOUSING                 | 1   |
| 38    |     | 313257-7  | MAGNET                       | 1   |
| 39    |     | 141859-7  | SPUR GEAR 9C COMPLETE        | 1   |
| 40    |     | 227309-7  | INTERNAL GEAR 48             | 1   |
| 41    |     | 227310-2  | SPUR GEAR 19A                | 3   |
| 42    |     | 141858-9  | SPUR GEAR 9B COMPLETE        | 1   |
| 43    |     | 227310-2  | SPUR GEAR 19A                | 3   |
| 44    |     | 267466-9  | FLAT WASHER 12               | 1   |
| 45    |     | 266429-2  | TAPPING SCREW 3X16           | 3   |
| 46    |     | 346721-3  | PLATE 23                     | 1   |
| 47    |     | 234315-5  | COMPRESSION SPRING 6         | 1   |
| 48    |     | 318958-2  | HOLDER JOINT B               |     |
| A01   |     | 195246-2  | SAFETY GOGGLE                |     |
| A02A  |     | ***DC18RC | DC18RC FAST CHARGER          |     |
| A02   |     | 123221-8  | PISTON C ASSEMBLY            | 1   |

| Item   | Sub | Parts No. | Parts Description             | Qty |
|--------|-----|-----------|-------------------------------|-----|
| A03A   |     | 197600-6  | BATTERY BL1830B SET           | 2   |
| A03    |     | 142071-2  | PISTON A COMPLETE             | 1   |
| A03-1A |     | 197600-6  | BATTERY BL1830B SET           | 2   |
| A04A   |     | 821568-1  | PLASTIC CASE                  | 1   |
| A04A   | C10 | 162271-8  | LATCH                         | 2   |
| A04    |     | 266827-0  | PAN HEAD SCREW M3X18 WITH WR  | 2   |
| A05A   |     | 802X73-1  | DCG180RFE PLASTIC CASE LABEL  | 2   |
| A05    |     | 424547-4  | RUBBER RING                   | 1   |
| A06A   |     | 450128-8  | BATTERY COVER                 | 1   |
| A06    |     | 454226-0  | NOZZLE                        | 1   |
| A07C   |     | ***DC18RC | DC18RC FAST CHARGER           | 1   |
| A08C   |     | 197600-6  | BATTERY BL1830B SET           | 1   |
| A08-1C |     | 197600-6  | BATTERY BL1830B SET           | 1   |
| A09C   |     | 821568-1  | PLASTIC CASE                  | 1   |
| A09C   | C10 | 162271-8  | LATCH                         | 2   |
| A10C   |     | 802X74-9  | DCG180RFEB PLASTIC CASE LABEL | 2   |
| A11C   |     | 450128-8  | BATTERY COVER                 | 1   |